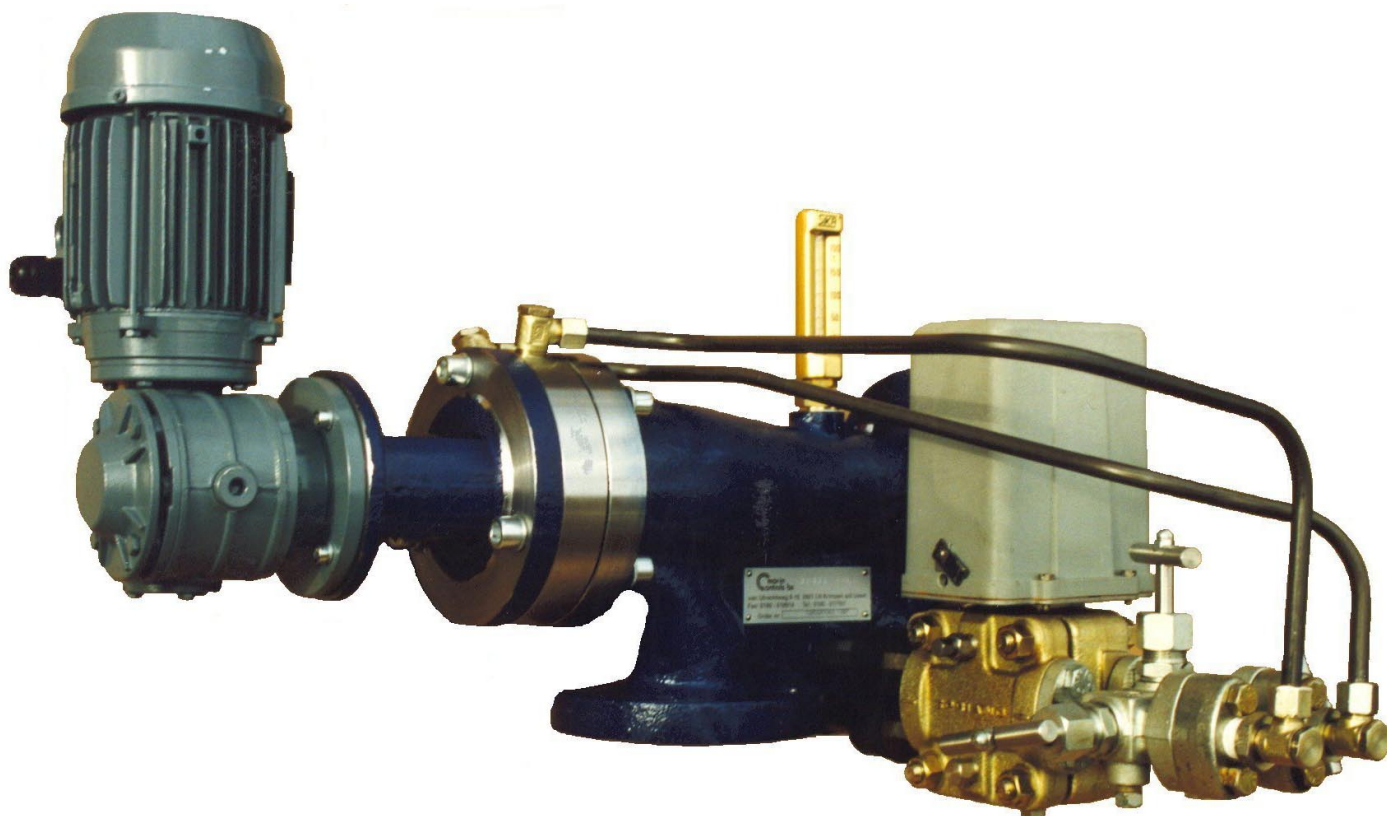


Viscotrol spare parts

The following list contains all the spare parts available for the Mar-In Controls B.V. Viscotrol viscosity sensor.

When ordering spare parts please state both the position number and the model code. The list represents the most recent edition and may deviate from earlier manuals delivered with the Viscotrol. Please be aware that certain item numbers may not be found in earlier versions of the manual and that other may have been removed from the list as a result of changes in design. Where applicable, this list will detail the changes and provide suggestions for replacement parts that are out of production.



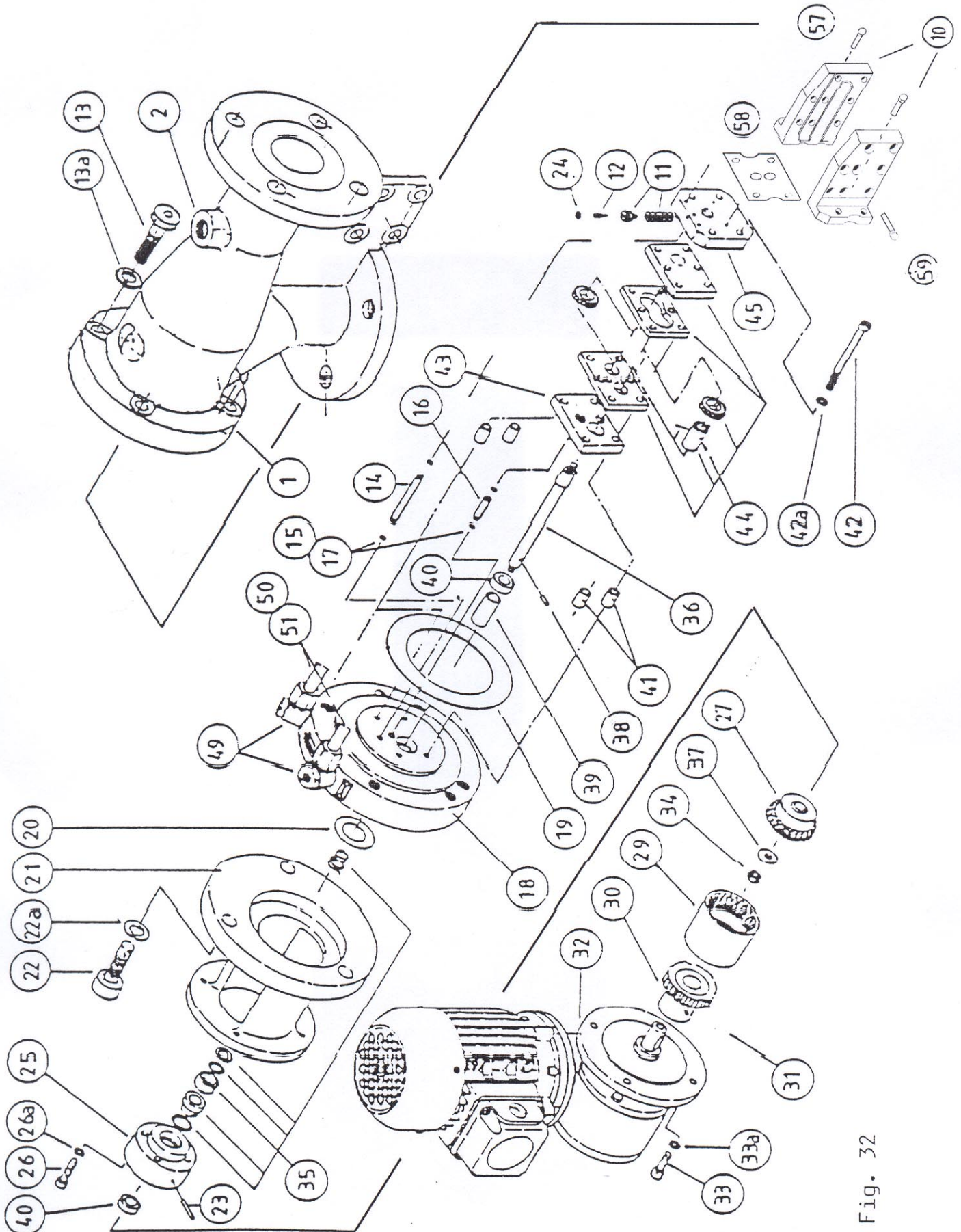


Fig. 32

Ref. No. Fig	Parts name	Code	Quantity	Recommended spare part
32				
1	Body N.D. 40	10.010.000	1	
2	Plug	10.020.000	1	
10	Set of S.H. Screws (4 pcs/set)	10.090.000	1 set	
13	Set of S.H. Screws + Washer (4 pcs/set)	10.005.000	1 set	
14	Signal pipe	10.000.004	1	
15 + 17	Set of O-Rings (4 pcs/set)	10.009.000	1 set	Yes
16	Signal pipe	10.008.000	1	
18	Back flange	10.001.000	1	
19	Packing house side	10.000.900	1	Yes
20	Packing holder side	10.002.000	1	Yes
21	Bracket	10.900.000	1	
22	Set of S.H. Screws + Washer (3 pcs/set)	10.005.000	1 set	
23	Lock pin	10.000.070	1	
25	Packing holder	10.000.090	1	
26	Set of S.H. Screws + Washer (4 pcs/set)	10.200.000	1 set	
27 + 29 + 30	Coupling set		1 set	
	(Coupling part pump)	10.000.063		
	(Coupling Case)	10.000.062		
	(Coupling part motor)	10.000.061		
31	Lock screw	10.500.000	1	
32a	Electric motor with reductor 110V 1ph 50/60Hz	10.000.100a	1	
32b	Electric motor with reductor 220V 1ph 50/60Hz	10.000.100b	1	
32c	Electric motor with reductor 230V-440V 3ph 50/60Hz	10.000.100c	1	
32d	Electric motor with reductor 690V 3ph 50/60Hz	10.000.100d	1	
33	Set of S.H. Screws + Washer (4 pcs/ set)	10.200.000	1 set	
34	Nut	10.400.000	1	
35	Mechanical seal	10.070.000	1	Yes
36	Shaft	10.040.000	1	
37	Ring	10.030.000	1	
38	Key	10.050.000	1	
39	Distance tube	10.060.000	1	
40	Ball bearing	10.004.000	2	Yes
41	Set of Spacer tubes (4 pcs/set)	10.077.000	1 set	
42	S.H. Screw + Washer	10.007.000	4	
43	Pumpplate drive side	10.000.005	1	
44	Pump	10.000.003	1	
44b	Set of Pump packings (2 pcs/set)	10.000.059	1 set	Yes
45	Pump plate capillary side	10.000.006	1	
49	Deairation plug joint	10.000.200	2	
50 + 51	Signal pipe	10.000.210	2	
57a	Capillary 0-22 mPas	10.000.050	1	
57b	Capillary 0-44 mPas	10.000.052	1	
57c	Capillary 0-90 mPas	10.000.054	1	
57d	Capillary 0-450 mPas	10.000.056	1	
58	Capillary packing	10.000.051	1	Yes
59	Set of S.H. Screws + Washer + Nut (8 pcs/set)	10.000.058	1 set	

Special items relating to the Viscotrol

Item no.	Parts name	Code	Quantity	Recommended spares
90a	Revision set for Electric motor with reductor	UNIDRIVE	1 set	
90b	Revision set for Electric motor with reductor	MAK	1 set	
90c	Revision set for Electric motor with reductor	STEPHAN	1 set	
91	Vibration dampener (shock absorber) for mounting the dP-transmitter	PVTTRILGRT	4	Yes
92	Distance bracket large for Vibration dampener	DISBRACKETL	4	
93	Glycerine		½ ltr	Yes

Please note:

- Items included in a set are not sold separately.
- For two items, the Electric motor (position 32) and the Capillary (position 57), different options are available depending on the configuration of the original delivery. Please select the correct item from the options available or contact Mar-In Controls B.V in case of special requirements.

Warning: in case the wrong option is installed, the Viscotrol might not function or the readings may be incorrect.

The Capillary will need to be calibrated to achieve optimal readings. In order to calibrate it, we need to know the type of system that was used (pneumatic or electric) and the frequency on which the Viscotrol viscosity sensor runs.

- The following items are no longer available and production has been discontinued: position 11 (Pressure drop equaliser, code 10.000.500) , position 12 (Dampening pin, code 10.000.600) and position 24 (Nut, code 10.000.080). These items were part of the design of an older version of the Capillary that has been out of production for 10 years. In case the Capillary of a Viscotrol that uses these items has to be replaced, a new Capillary (position 57a/b/c/d) and a new Pump plate capillary side (position 45) will have to be installed. The new design does not fit on the old Pump plate.
- We supply three different types of revision sets, for Viscotrol Electric motors delivered between 1981-1990 the model code for the Revision set is “STEPHAN”, for Viscotrol motors delivered between 1990 and 1996 the code is “MAK”, and for motors delivered after 1996 the code is “UNIDRIVE”. Each of these revision sets contain different items, corresponding with different models of Electric motors used in the mentioned periods. In order to avoid receiving the wrong Revision set it is advisable to include the Mar-In Controls reference number of the original delivery (usually in the format 12.(yy)yy.(x)xxx.nnn) with any enquiry or spare parts order. Please note: figure 33 of the original manual is no longer valid, as the numbers and quantities mentioned no longer correspond with the items supplied.
- When ordering the Signal pipe position 50 + 51, please indicate whether the Viscotrol sensor is to be deployed in a right hand or left hand situation and if the system is pneumatic or electronic as we have 4 versions of the Signal pipe available.

Disclaimer

The information in this document is intended, but not guaranteed, to be correct, complete and up-to-date. The information is provided without any warranty, either express or implied as to quality, accuracy or fitness for a particular purpose.

Mar-In Controls B.V. cannot be held liable for any direct, indirect or consequential loss arising from the use of (or the inability to use) this document or information contained in it or from any action or decision taken as a result thereof.