

Pump spare parts

The following list contains all the spare parts available for the Mar-In Controls B.V. pumps type L3NG xx/xx AFOUI-G.

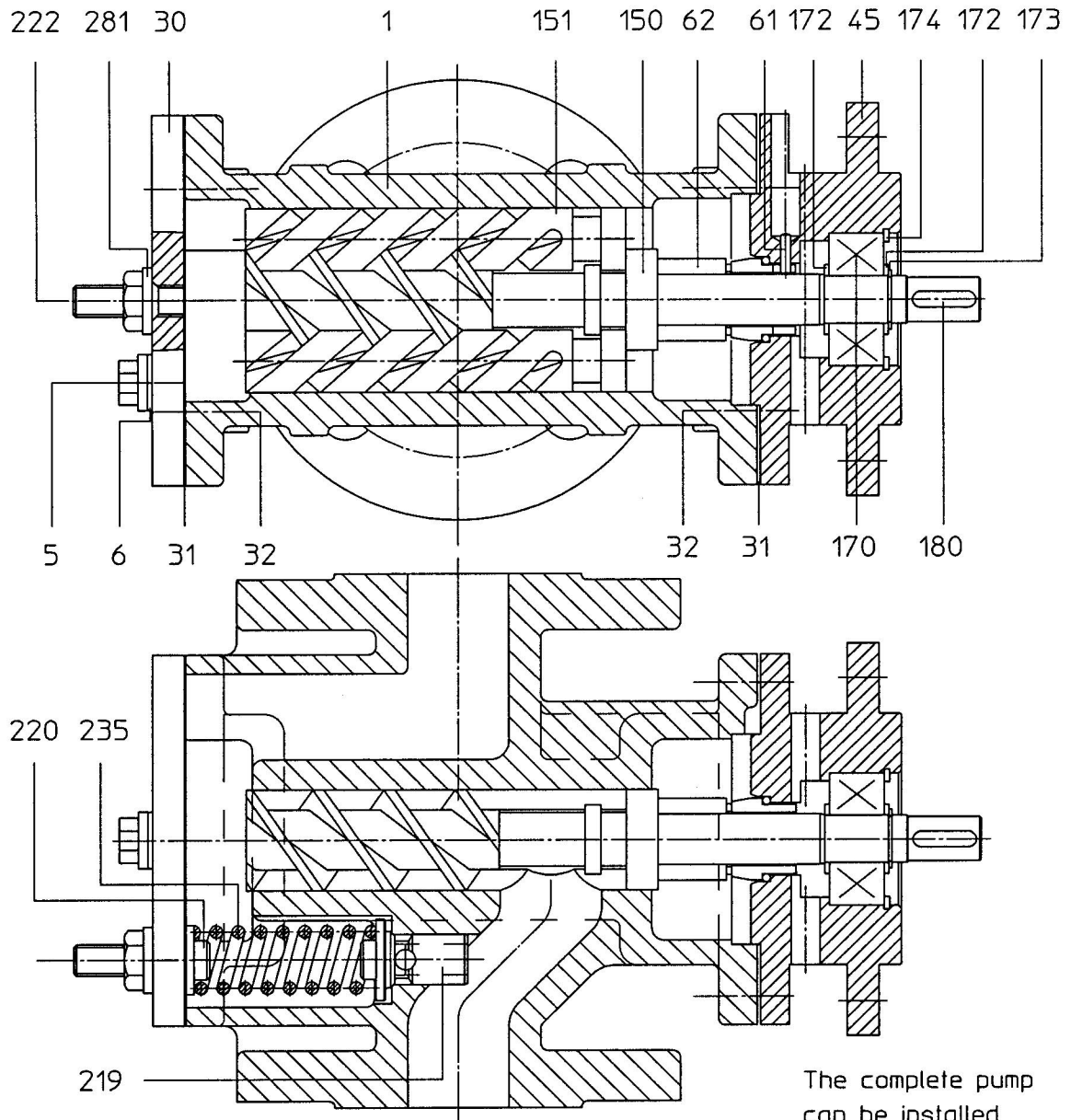
When ordering spare parts please state both the position number and the model code.

The pump serial number and type (L3NG xx/xx AFOUI-G) should always be stated with any request as the part numbers are general for all sizes of pumps.

If the serial number of the pump is unknown, please state the Mar-In Controls reference number of the original order (usually in the format 12.(yy)yy.(x)xxx.nnn).

The list represents the most recent edition and may deviate from earlier manuals delivered with the pump. Please be aware that certain item numbers may not be found in earlier versions of the manual and that other may have been removed from the list as a result of changes in design. Where applicable, this list will detail the changes and provide suggestions for replacement parts that are out of production.

Please note: in order to maximize the lifespan of the components of the pump, and especially the Mechanical seal, always make sure the pump is filled with fluid. If the pump runs dry, the Mechanical seal or other parts might be damaged. Please refer to the instructions in the manual that accompanied the pump for further details.

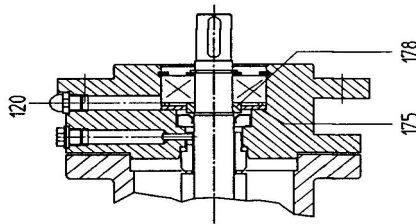


The complete pump can be installed in each position.

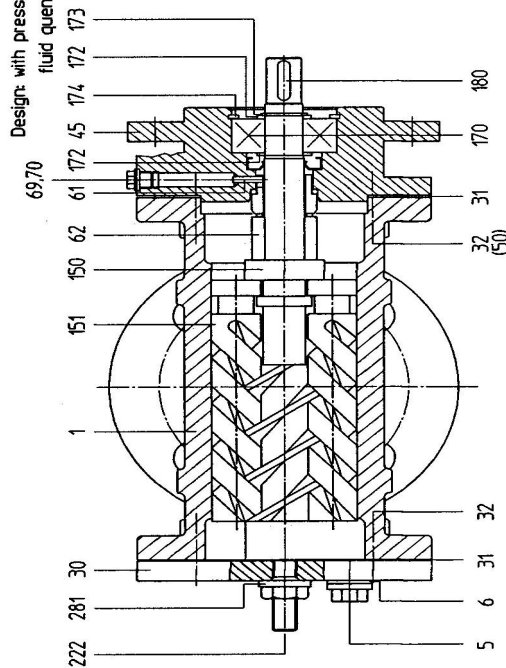
execution whitout valve: - these parts are dropped

- | | | |
|-----------------------|---------------------------|-----------------------|
| 1 pump | + 61 edged adjusting pin | 174 circlip |
| + 5 locking screw | * 62 mechanical seal | ** 180 key |
| + 6 sealing ring | *150 driving spindle | - * 219 valve cone |
| 30 cover | *151 idler spindle | - 220 spring plate |
| * 31 flat seal | *170 grooved ball bearing | - 222 adjusting screw |
| + 32 mounting screw | *172 supporting disk | - 235 valve spring |
| 45 cover driving side | **173 circlip | - * 281 seal-lock-nut |

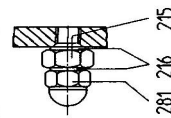
Design: with pressure barrier fluid quench and regreaseable ball bearing



Design: with pressure barrier fluid quench



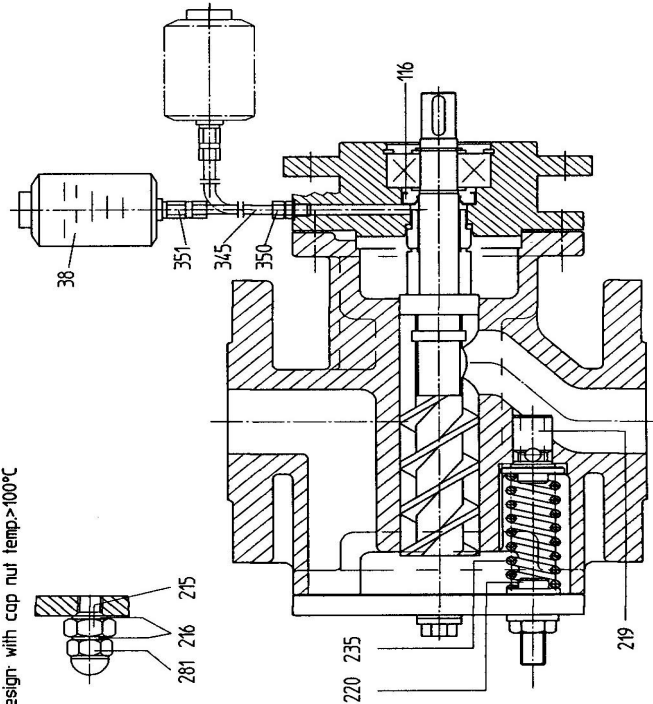
Design: with cap nut temp > 100°C



The complete pump can be installed in each position.

execution without valve - these parts are dropped

- | | | |
|--|---|--|
| <ul style="list-style-type: none"> * 1 pump * 5 locking screw * 6 sealing ring * 30 cover * 31 flat seal * 32 mounting screw * 38 oil level gauge glass * 45 cover driving side * 50 mounting screw | <ul style="list-style-type: none"> * 61 edged adjusting pin * 62 mechanical seal * 69 locking screw * 70 sealing ring * 116 shaft seal * 120 lubricating plate * 150 driving spindle * 151 later spindle * 170 grooved ball bearing * 172 supporting disk ** 173 circlip | <ul style="list-style-type: none"> ** 174 circlip 175 intermediate ring 178 spacer ring ** 180 key ** 215 hexagonal nut ** 216 sealing ring * 219 valve cone - 220 spring plate - 222 adjusting screw - 235 valve spring - * 281 seal-lock-nut or cap nut - * 345 pipe 350 screw joint 351 screw joint |
|--|---|--|



Screw pump L3NG ../.. AFOUI-G (applicable to all sizes of the L3NG-AFOUI-G pump)

Pos.	Qty.	Part	
001	1	pump casing	
005	2	locking screw	part acc. DIN
006	2	sealing ring	part acc. DIN
030	1	cover driven side	spare part
031	1	flat seal	recommended spare part
032	5	mounting screw	part acc. DIN
045	1	cover driving side	
061	1	edged adjusting pin	part acc. DIN
062	1	mechanical seal	recommended spare part
150	1	driving spindle	spare part
151	2	idler spindle	spare part
170	1	grooved ball bearing	recommended spare part
172	2	supporting disk	spare part
173	1	circlip	spare part acc. DIN
174	1	circlip	spare part acc. DIN
180	1	key	spare part acc. DIN
215	1	nut	part acc. DIN
216	1	sealing ring	part acc. DIN
219	1	valve cone	
220	1	spring plate	
222	1	adjusting screw	spare part acc. DIN
235	1	valve spring	spare part
281	1	cap nut	part acc. DIN

Disclaimer

The information in this document is intended, but not guaranteed, to be correct, complete and up-to-date. The information is provided without any warranty, either express or implied as to quality, accuracy or fitness for a particular purpose.

Mar-In Controls B.V. cannot be held liable for any direct, indirect or consequential loss arising from the use of (or the inability to use) this document or information contained in it or from any action or decision taken as a result thereof.